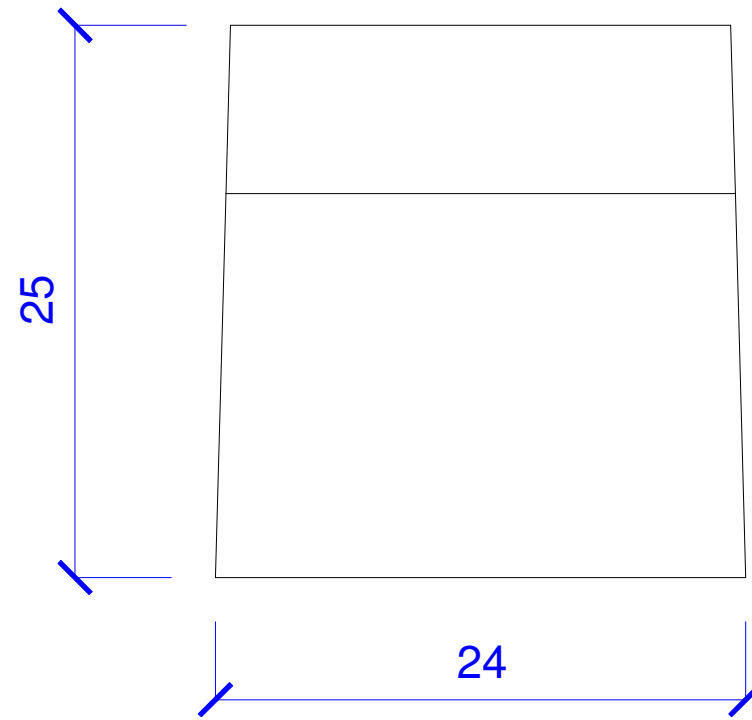
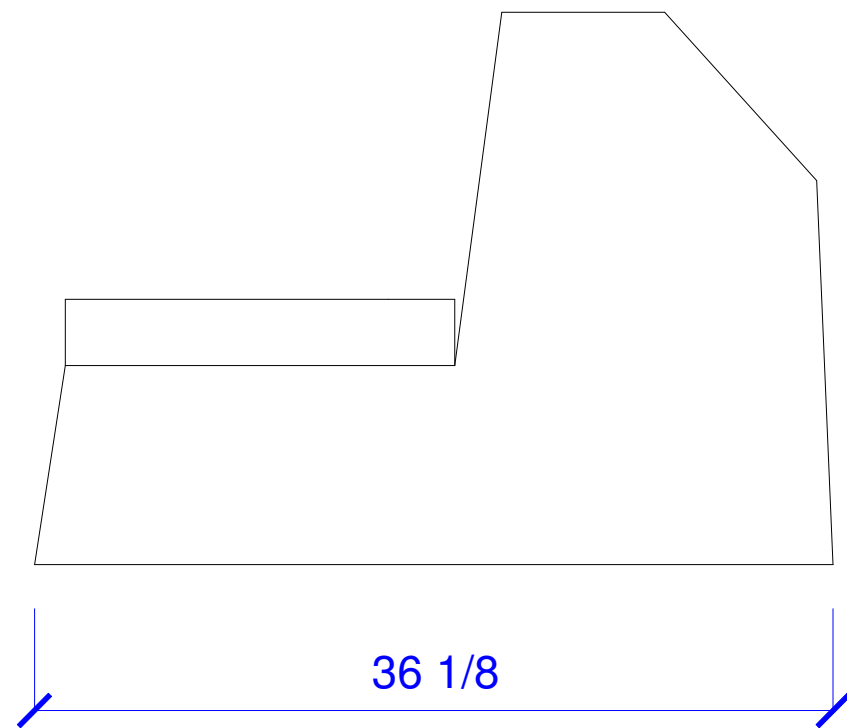


BOM:

- 1 sheet plywood 10 mm
- 1.5 gallon epoxy resin
- 1 roll 50 yards 6oz. biaxial tape
- 4 yards woven glass 6 oz. 50" wide.

All panels from 10 mm plywood.
 Seams taped with 2 layers 6 oz. biaxial, offset edges 1".
 Epoxy resin only, no polyester or glue.
 All surfaces inside and outside coated with epoxy resin.



All our plans are provided as is. Boat Builder Central and the designers disclaim all other warranties, expressed or implied, including merchant ability or fitness of purpose. These plans are copyrighted and cannot be reproduced or communicated to a third party without our authorization. The purchase of these plans give the builder the right to build one boat. Although we make every attempt to ensure our plans meet applicable ABYC and USCG standards and requirements, it is the builder's responsibility to ensure compliance with local regulation(s) or standard(s), and fitness of purpose.

All dimensions in inches unless marked otherwise.

project:	Short Flats Console		
plan:	Concept		
#	A295/6	scale:	NTS
			03/25/2012
Mertens-Goossens Yacht Design Copyright all countries Mertens-Goossens Yacht Design Inc. For information see: BoatBuilderCentral.com			